

TOP VIEW

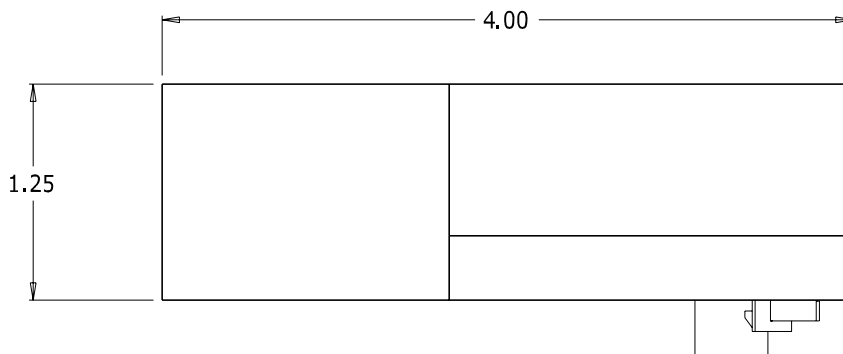


J4- OUTPUT CONNECTOR

PIN 1- COMMON  
PIN 2- POWER  
PIN 3- HV OUTPUT

MATING CONNECTOR  
MOLEX #39-01-4030

SIDE VIEW



J1- INPUT CONNECTOR

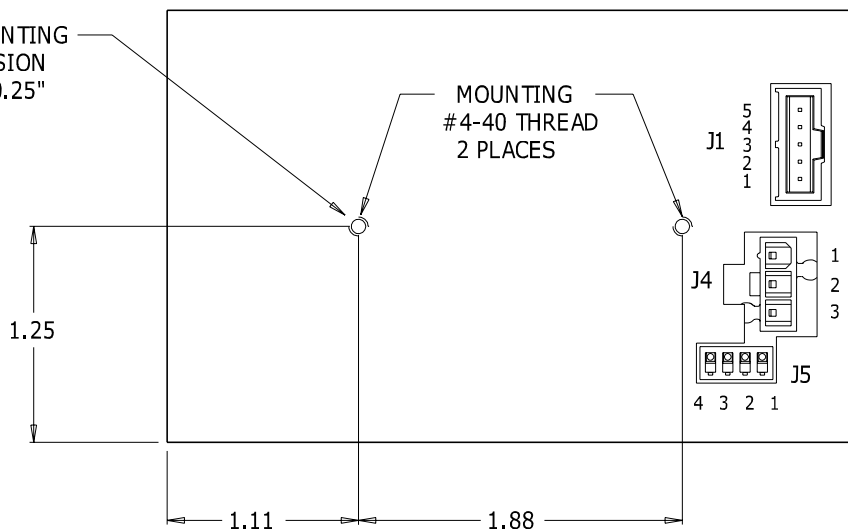
PIN 1- INPUT SIGNAL  
PIN 2- COMMON  
PIN 3- POWER MINUS  
PIN 4- POWER PLUS  
PIN 5- CHASSIS GROUND

MATING CONNECTOR  
MOLEX #90156-0145

BOTTOM VIEW

CAUTION!

MAXIMUM MOUNTING  
SCREW EXTENSION  
INTO UNIT IS 0.25"  
2 PLACES



J5- OPTION CONNECTOR

PIN 1- SHUTDOWN  
PIN 2- COMMON  
PIN 3- -12VDC  
PIN 4- +12VDC

MATING CONNECTOR  
MOLEX #22-01-2041

ALL DIMENSIONS SHOWN IN INCHES.