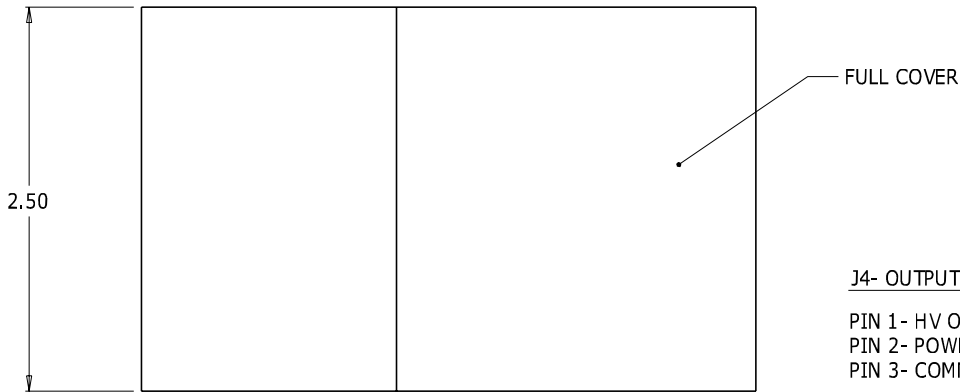


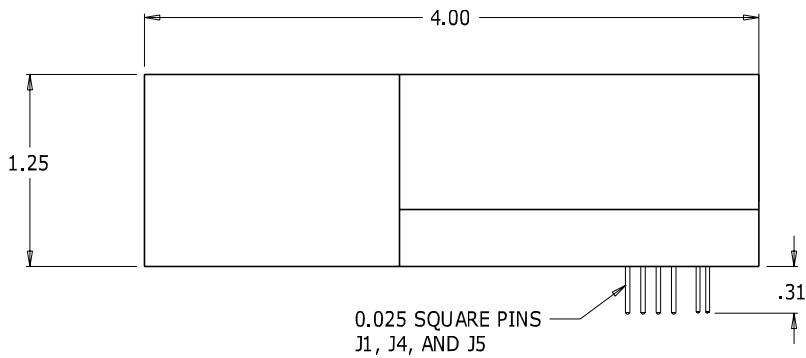
TOP VIEW



J4- OUTPUT CONNECTOR

- PIN 1- HV OUTPUT
- PIN 2- POWER
- PIN 3- COMMON

SIDE VIEW



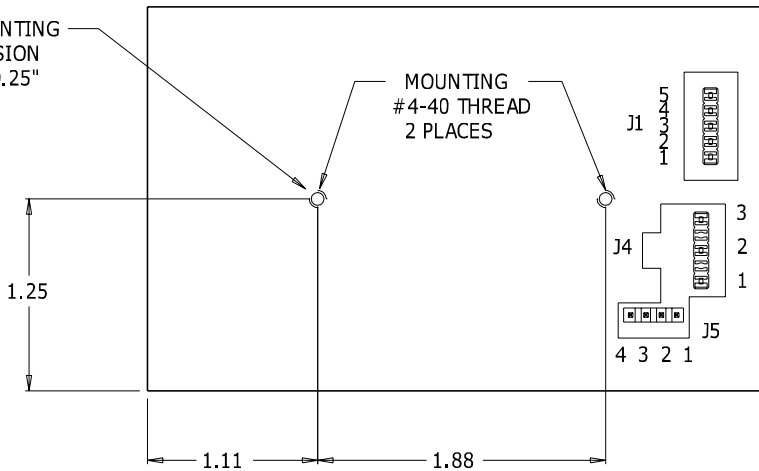
J1- INPUT CONNECTOR

- PIN 1- INPUT SIGNAL
- PIN 2- COMMON
- PIN 3- POWER MINUS
- PIN 4- POWER PLUS
- PIN 5- CHASSIS GROUND

BOTTOM VIEW

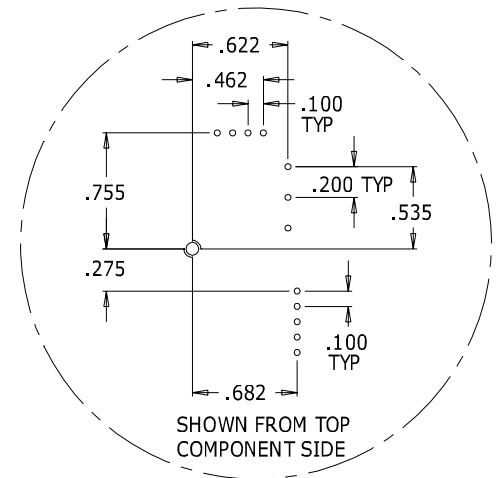
CAUTION!

MAXIMUM MOUNTING
SCREW EXTENSION
INTO UNIT IS 0.25"
2 PLACES



J5- OPTION CONNECTOR

- PIN 1- SHUTDOWN
- PIN 2- COMMON
- PIN 3- -12VDC
- PIN 4- +12VDC



ALL DIMENSIONS SHOWN IN INCHES.